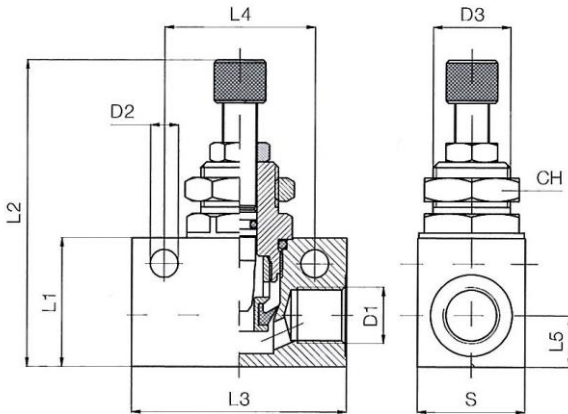


Block design, stainless steel 1.4404.
 Straight-way valve with restricted flow in both directions.



Body: Stainless steel 1.4404
 Valve trim: Stainless steel 1.4404
 Seal: FPM
 Operating pressure: Max. 10.0 bar
 Operating temperature: 0 °C to +150 °C

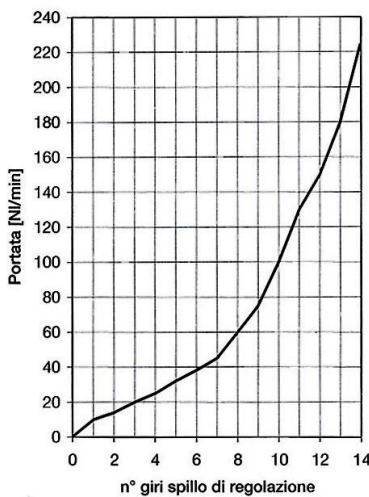
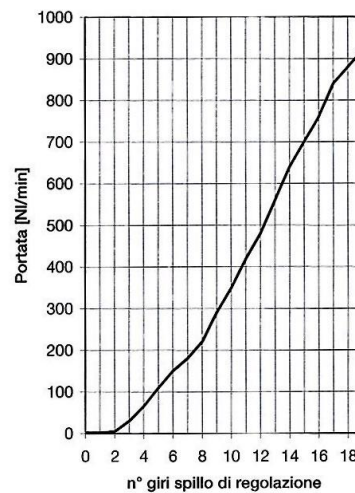


ES 225.54

Bidirectional flow control valves, stainless steel

Art. No.	D ₁	D ₂	D ₃	L ₁	L _{2max}	L ₃	L ₄	L ₅	S	CH	Weight g
ES 225.53	1/8	4.5	M12x0.75	20.0	56.0	34.0	24.0	7.5	15.0	14	74.0
ES 225.54	1/4	5.5	M18x1.5	30.0	75.0	50.0	35.0	12.0	25.0	22	160.0

Flow rate:


1/8

1/4